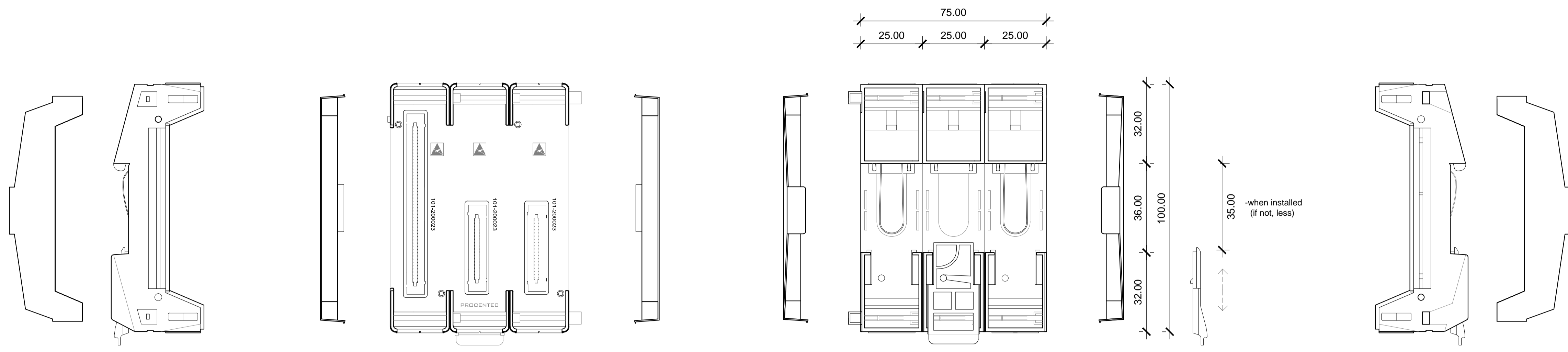
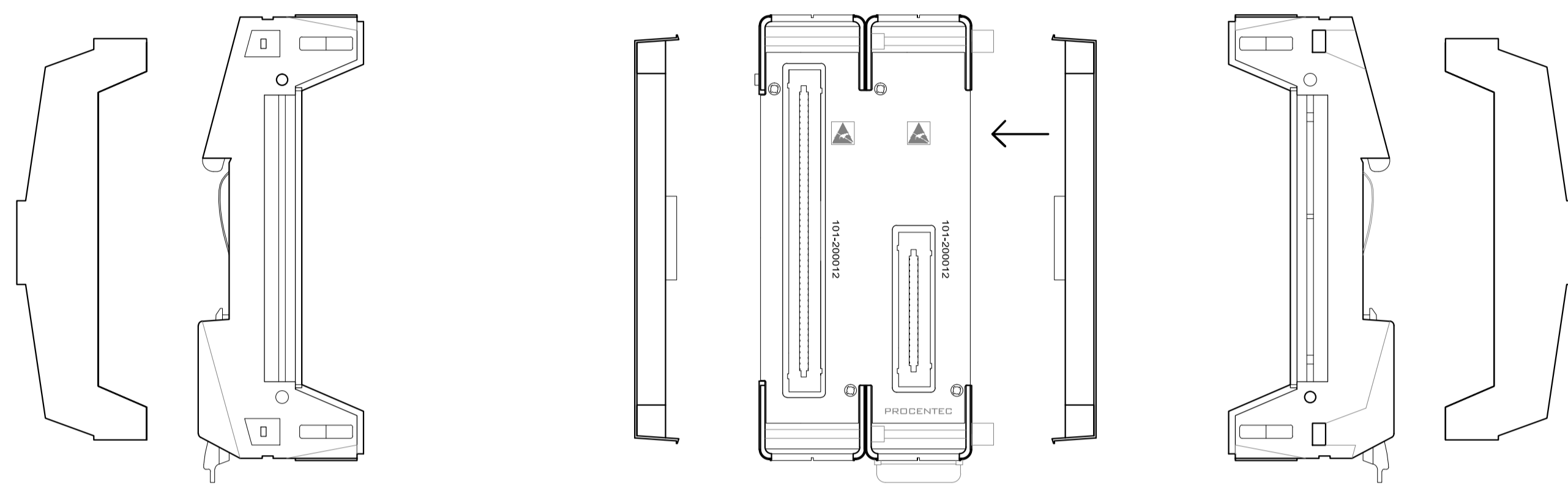


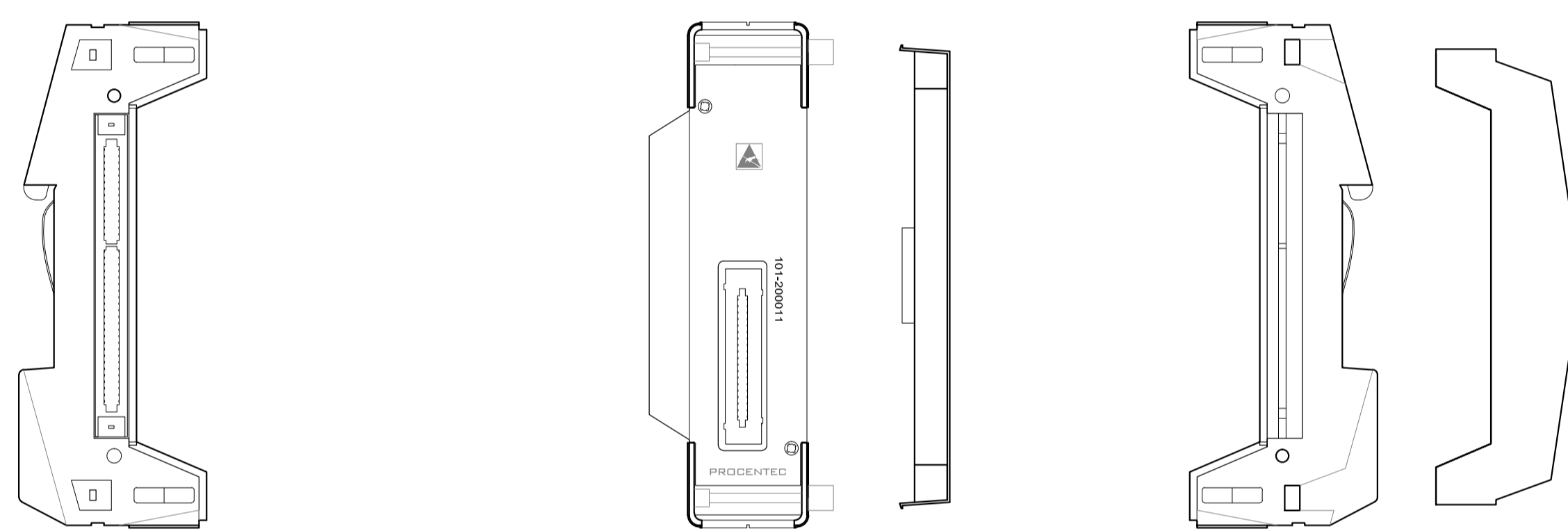
## COMbricks backplanes



HEAD + 2CH



HEAD + 1CH



ADDITION

## COMbricks complete 2 Channel unit

